

Technical Information

Ultimate Bath/Dryer Vent

Kynar® Finish

PRODUCT DESCRIPTION

The **Bath/Dryer Vent** is a high-performance plumbing vent flashing designed for use on shingle, shake, flat tile, slated or synthetic shingled roof system. The **Bath/Dryer Vent** is a patent pending design that features a 24ga galvanized Kynar® base plate, creating a seamless transition from the roof deck, while the cap features a high temperature ASA polymer, covered by a 24ga Kynar® cap that includes an anodized aluminum damper. This damper rests on an angled base of ASA polymer that includes EPDM noise bumpers to reduce damper clatter as well as a wind wall to allow for possible condensation to prevent damper freezing. Combined, these part create the **Bath/Dryer Vent** that is rated for 110MPH for wind driven rain.



INSTRUCTIONS FOR USE / RECOMMENDATIONS

The **Bath/Dryer Vent** is sized for either a 4" or 3" PVC or ABS pipe. Measure the pipe to be vented to determine if you will need the included 4" to 3" adapter. Included with the **Bath/Dryer Vent** is a 6" long down pipe. Place the down pipe in the bottom of the **Bath/Dryer Vent** and line up the five (5) button punches and push firmly until you hear a click. This will allow the **Bath/Dryer Vent** to easily be connected to the existing vent pipe. Please note that the cap of the **Bath/Dryer Vent** can easily be removed by removing two oxide stainless steel screws on the sides, making this ideal for easy cleaning and annual maintenance if used as a dryer vent. If used as a bath vent, a bird/rodent/insect screen is included and can easily be snapped in either before or after installation.



BENEFITS

- Larger base plate to ensure a weathertight installation
- Cap & Plate made from 24ga galvanized steel with a Dark Bronze Kynar® paint finish for added protection
- ASA polymer sub cap and structured base for strength and heat deflection
- Wind wall designed in the structure base prevents wind driven rain in excess of 110MPH
- Weep holes designed in the wind wall allow condensation drainage out and away from the vent
- Gold anodized damper mounted on a passivated stainless-steel axle prevents corrosion and rust
- EPDM bumpers prevent damper "clatter"
- Removeable cap makes this unit the **ONLY** cleanable unit on the market
- Warrantied for Life of Roof!

Specific Data

Materials

Materials Plate & Cap 24ga galvanized steel manufactured in accordance with ASTM A 653-09, coated with a Kynar® (PVDF) paint finish top side, consisting of 0.7 to 0.8 of a mil with 0.2-0.3 mil primer on the underside.

	<i>Nominal Value</i>	<i>Test Method</i>
Physical Density	1.07g/cm ³	ISO 1183
Melt Mass-Flow Rate (230 °C/3.8kg)	0.305in ³ /10min.	ISO 1133
Molding Shrinkage	0.50 to 0.90%	ISO 294-4
Water Absorption E Equilibrium @ 73°F	0.35%	ISO 62

Mechanical Tensile Modulus @ 73° F	363,000psi	ASTM D638
Tensile Stress (break) @ 73°F	7,830psi	ISO 527-2
Tensile Strain (break) @ 73°F	3.4%	ISO 527-2
Flexural Creep Modulus @ 73°F	181,000psi	ISO 899-1
Flexural Stress @ 73°F	116,000psi	ISO 178

Impact Charpy Notched Impact Strength @ 73°F	7.1 ft lb/in ²	ISO 179
---	---------------------------	---------

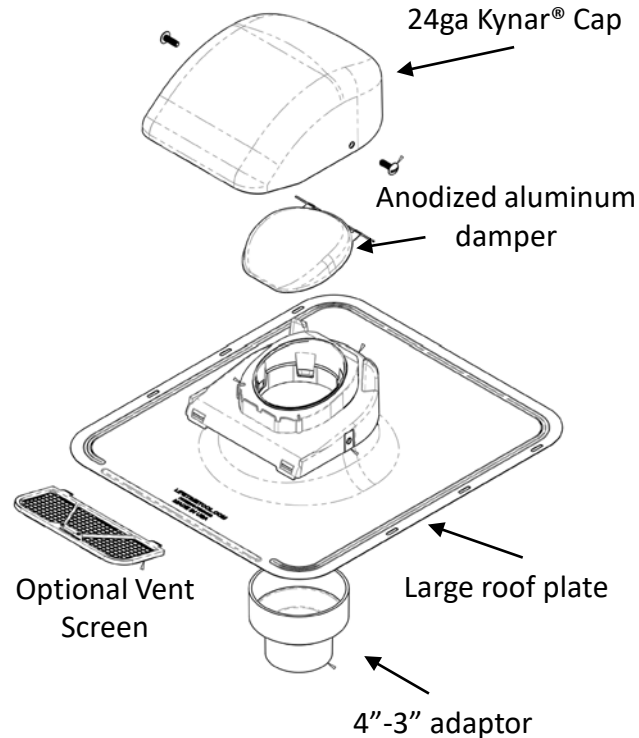
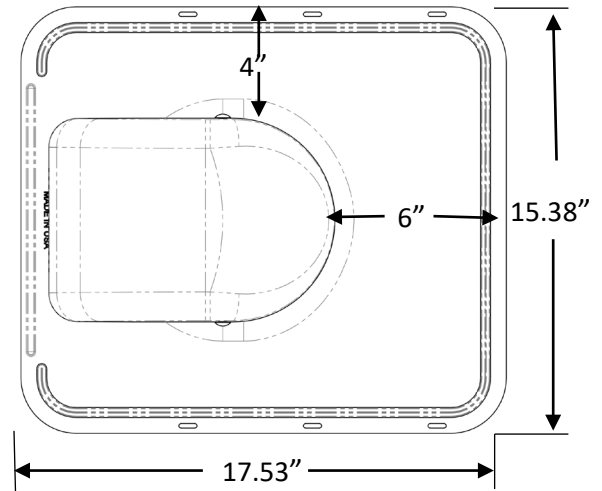
Hardness Ball Indentation	12300psi	ISO 2039-1
----------------------------------	----------	------------

Thermal Heat Deflection Temp 66psi (.45 MPa)	223°F	ISO 75-2/B
---	-------	------------

Packaging One (1) per box with installation instructions, a 6" long galvanized 4" extension and a 4" to 3" reducer in the box.

Dimensions of Packaging 18" L x 16" D x 7" W 6.2lbs.

Notes All parts assembled in the U.S.A.
Patents Pending
CAGE Code: 94YWS



Applicable Testing:	ASTM E 166-18 Wind and Wind Driven Rain Performance Test (exceeded 110MPH)
	T151-18 Air Flow Test (Pressure drop through various vents)
	T133-19 Air Flow Performance Test
	Florida TAS 100-95 Test procedure for wind and wind driven rain resistance (110+MPH)