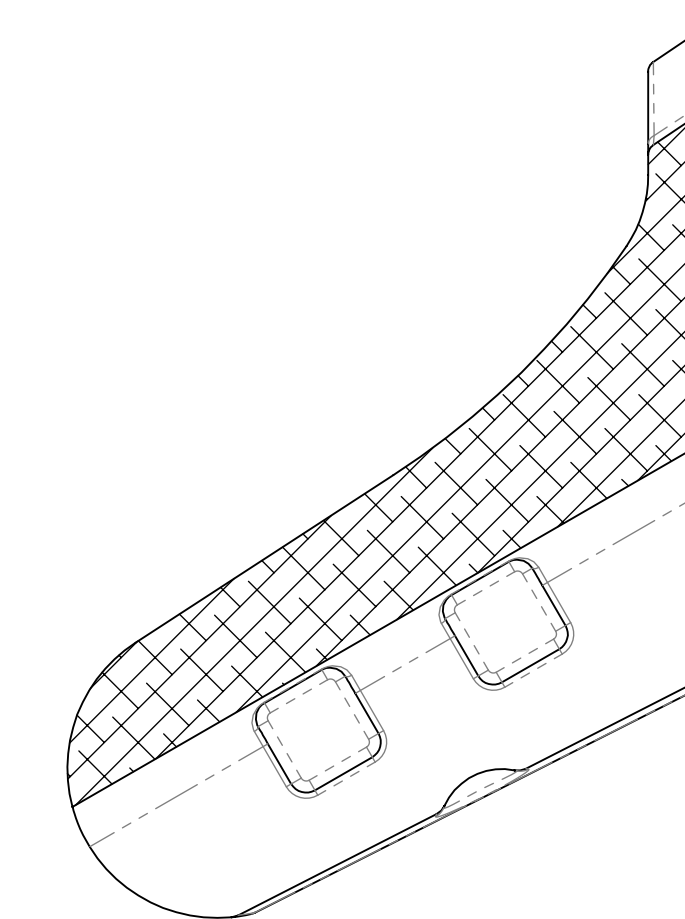
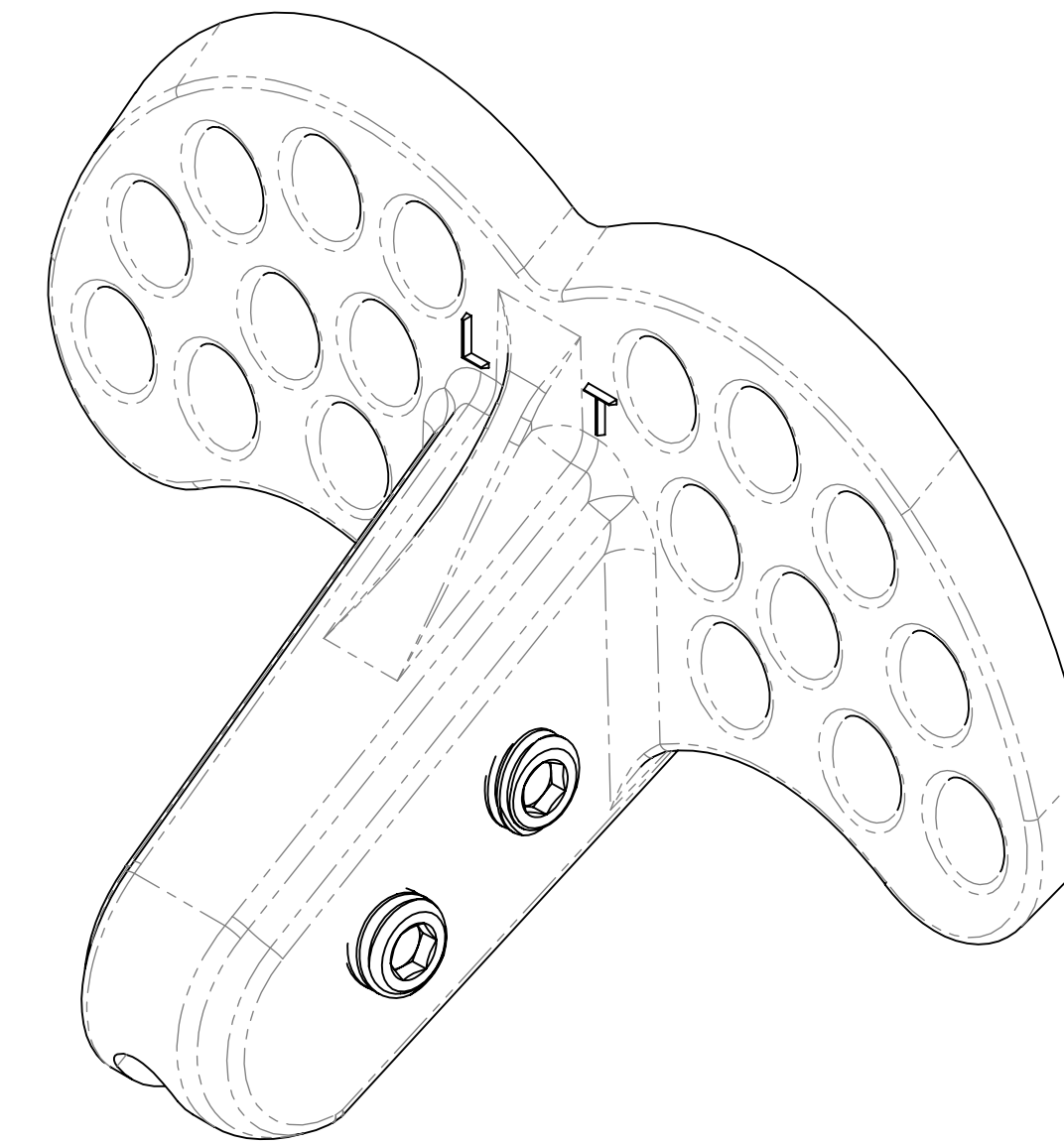
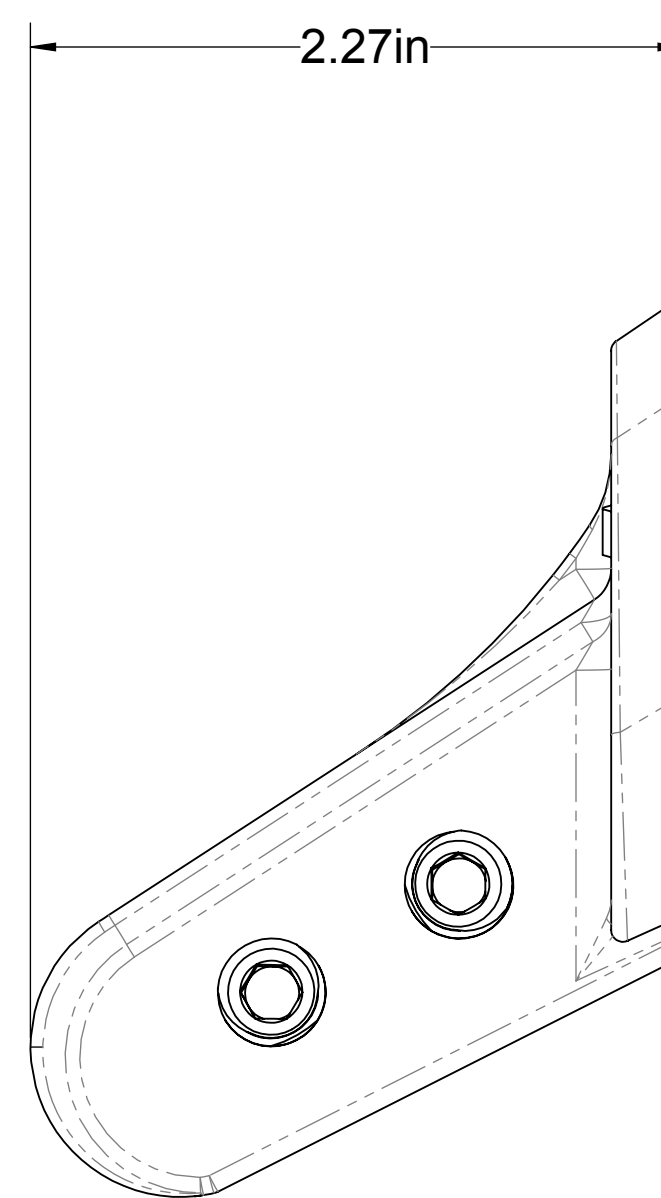
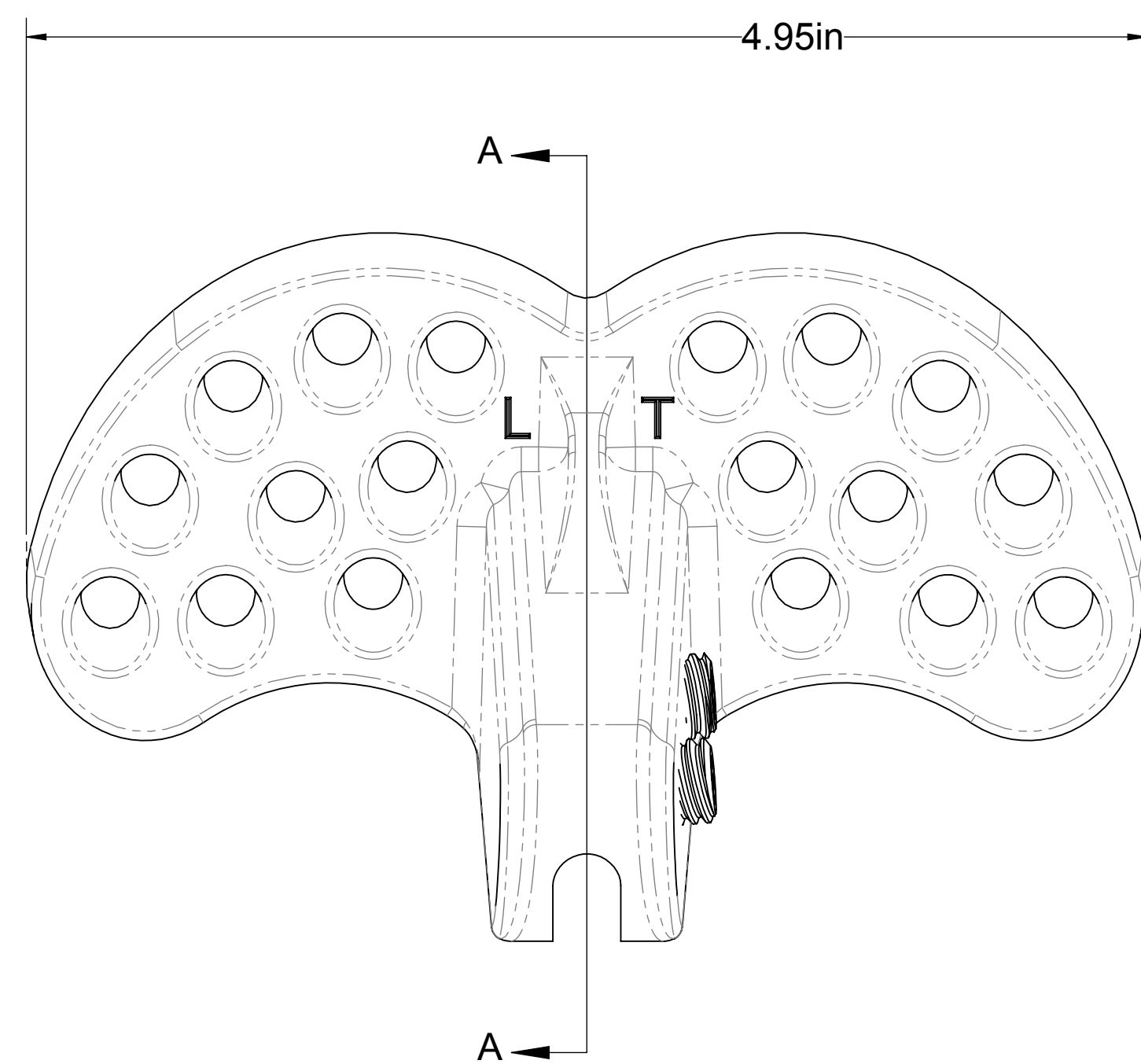
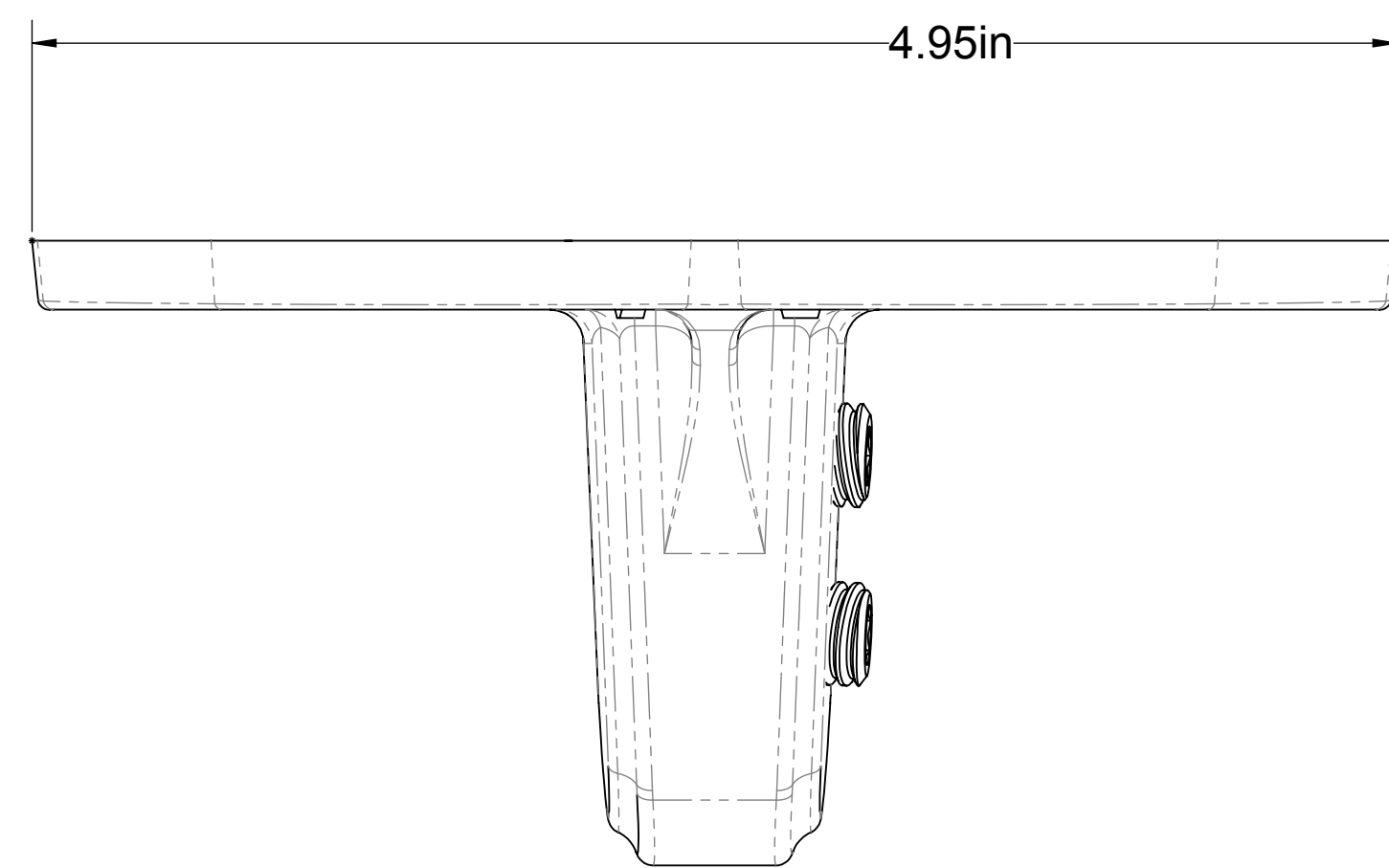


FOR MORE INFORMATION VISIT: [WWW.LIFETIMETOOL.COM](http://WWW.LIFETIMETOOL.COM)  
or call 1-877-904-1002

REVISIONS				
ZONE	REV.	DESCRIPTION	DATE	APPROVED
	A	RELEASED	04APR2016	



SECTION A-A

PART No.	FINISH:
LT 300-MILL	MILL FINISH
LT 300-KC	MATTE BLACK
LT 300-KC	COLONIAL RED
LT 300-KC	HARTFORD GREEN
LT 300-KC	DARK BRONZE
LT 300-KC	FOREST GREEN
LT 300-KC	MEDIUM BRONZE
LT 300-KC	MANSARD BROWN
LT 300-KC	CHARCOAL GRAY
LT 300-KC	SLATE GRAY

**NOTES:**

- ORDER LIFETIME TOOL P/N: LT 300 SNOW GUARD
- CARTON SIZE: 12.00" X 12.00" X 12.00"
- CARTON QUANTITY: 100 PER CARTON
- CARTON WEIGHT: 32.3#
- CARTON CONTENTS INCLUDES: 100 PARTS, INSTRUCTIONS, AND ONE 3/8" HEX ALLEN WRENCH.
- INDIVIDUAL PART WEIGHT: 0.31#
- FITS: 22 - 24 GAUGE STANDING SEAM PANELS, OR SIMILAR, WITH A SEAM WIDTH OF 1/4" MAXIMUM.
- ALL PARTS MADE AND ASSEMBLED IN THE U.S.A.
- U.S. PATENT #8,891,961

U.S. Patent # 8,898,961

# LT 300 Snow Guard

<b>SOLIDWORKS DATA</b> THIS DRAWING IS CONTROLLED BY SOLIDWORKS PART FILE # 5191-8200-02 Rev A - SNOW GUARD SIZE 200 SLDASM BOTH DATA FILES ARE REQUIRED FOR FULL MANUFACTURING SPECIFICATION		UNLESS OTHERWISE SPECIFIED: DIMENSIONS ARE IN INCHES TOLERANCES: FRACTIONAL: ± .005 ANGULAR: MACH: 0.5° TWO PLACE DECIMAL: ± 0.01 THREE PLACE DECIMAL: ± 0.0005	DRAWN: _____ CHECKED: _____ ENG APPR: _____ MFG APPR: _____ G.A.: _____ COMMENTS: _____	DATE: _____ NAME: _____	Lifetime Tool & Building Products TITLE: <b>LT 300 Snow Guard</b> SPECIFICATION DRAWING
PROJECT # 5191 PLOT DATE: 04APR2016 DO NOT SCALE DRAWING	THIRD ANGLE PROJECTION	PROPRIETARY AND CONFIDENTIAL THE INFORMATION CONTAINED IN THIS DRAWING IS THE SOLE PROPERTY OF Lifetime Tool & Building Products. ANY REPRODUCTION IN PART OR AS A WHOLE WITHOUT THE WRITTEN PERMISSION OF Lifetime Tool & Building Products IS STRICTLY PROHIBITED.	INTERPRET GEOMETRIC TOLERANCING PER: _____ MATERIAL: _____ FINISH: _____	SIZE: <b>D</b> PART NO.: LT 300 SNOW GUARD SCALE: 1.5:1 WEIGHT: _____ SHEET 1 OF 1	REV: <b>A</b>