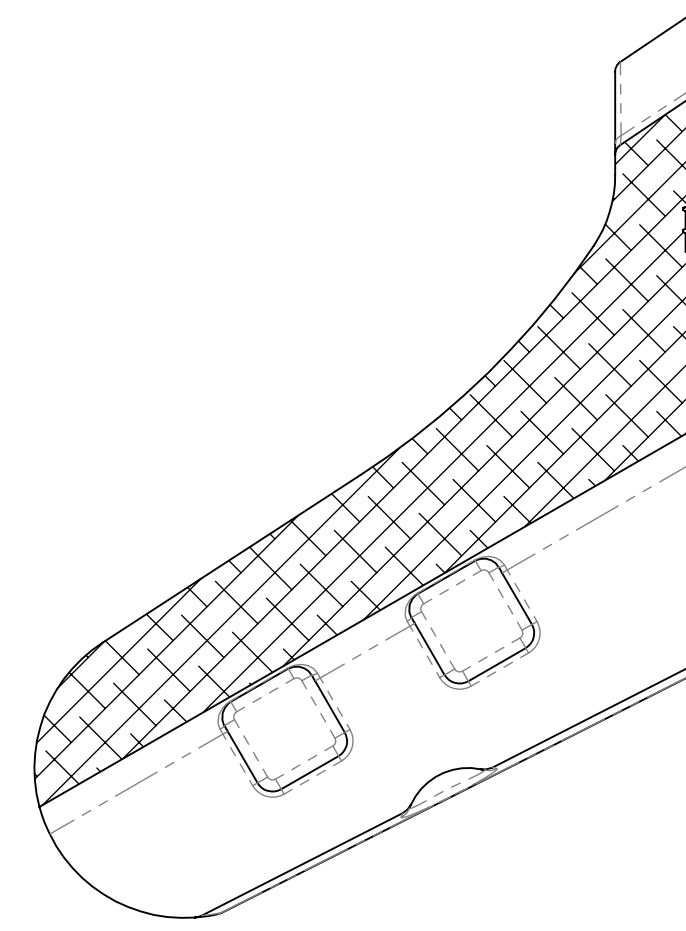
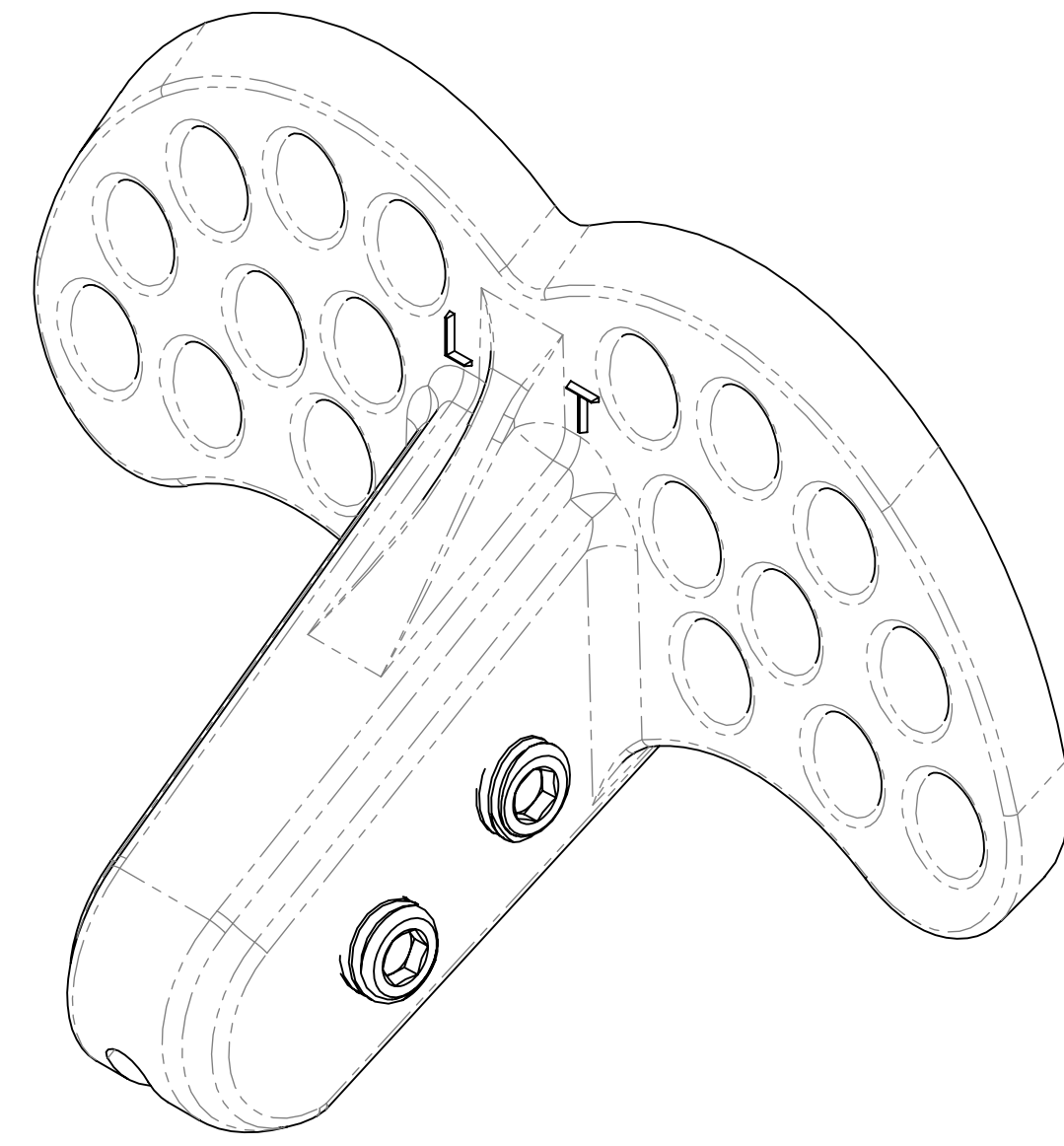
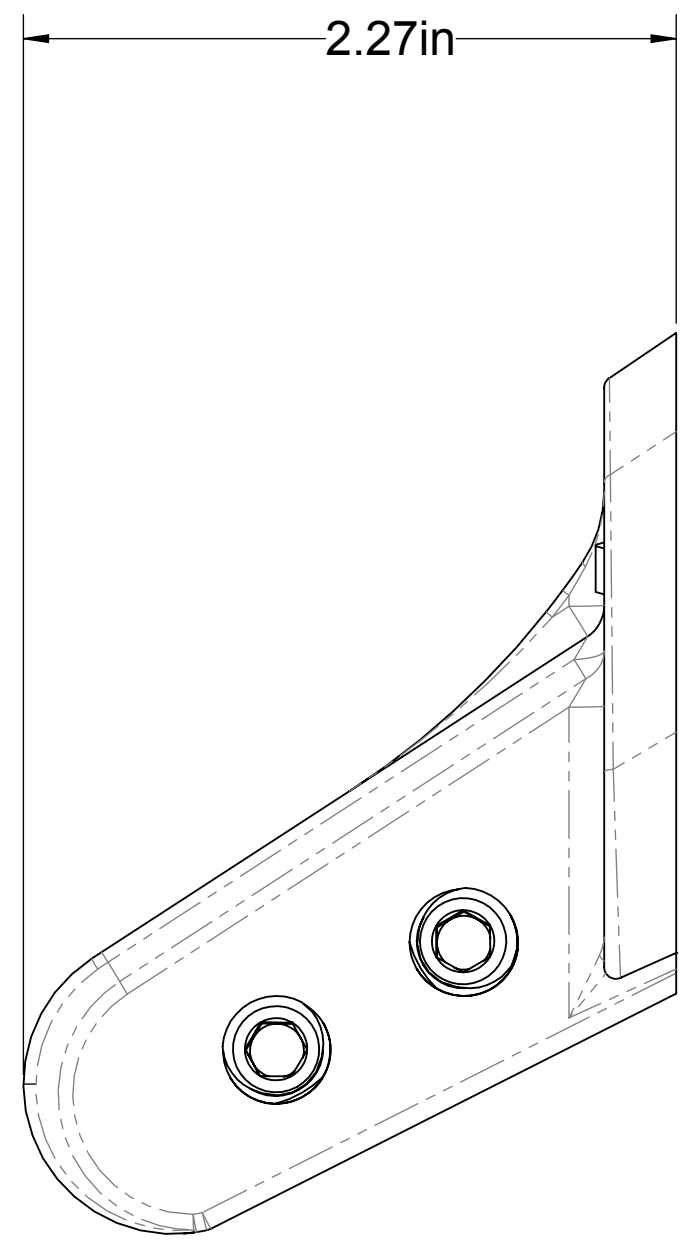
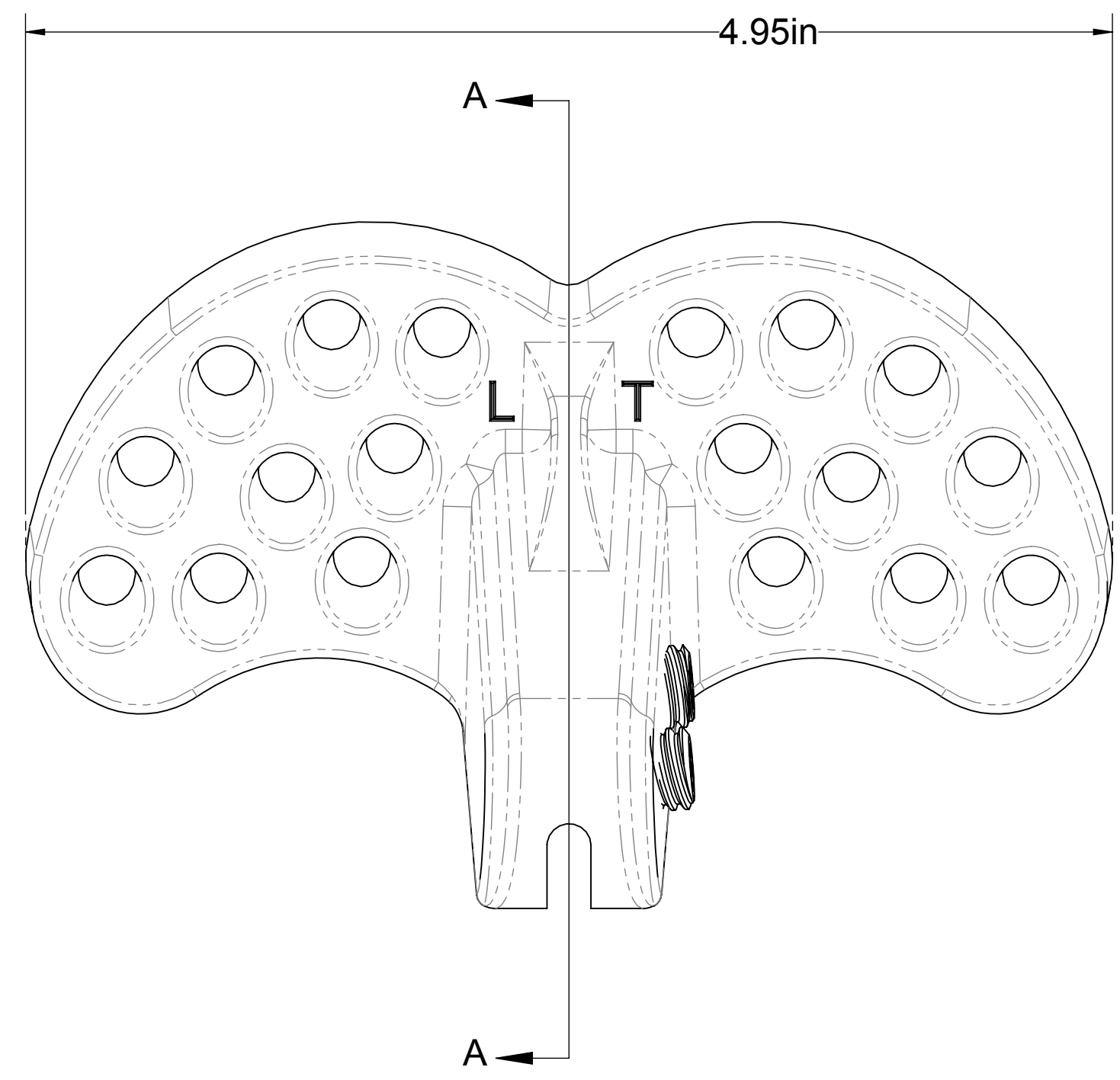
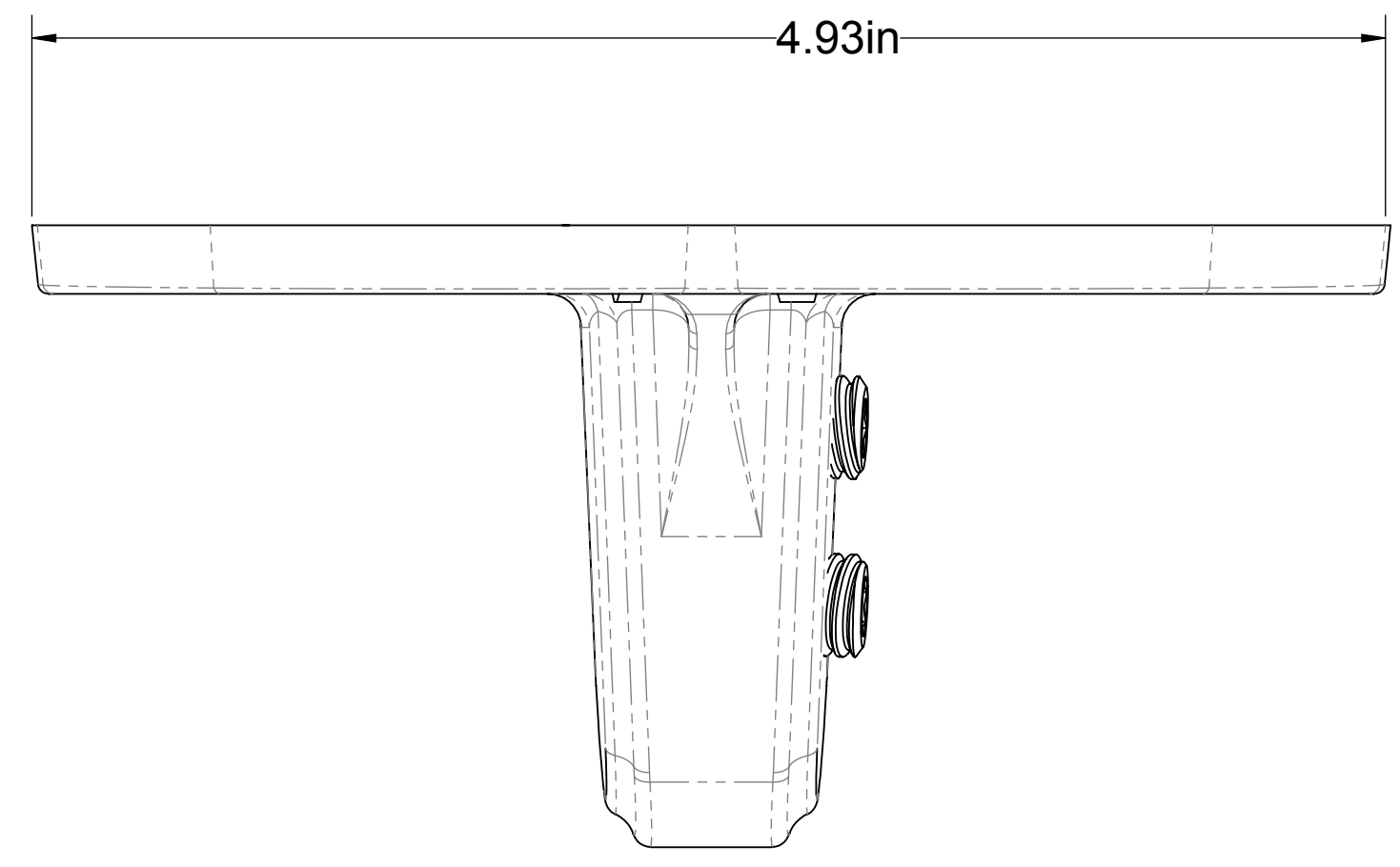


FOR MORE INFORMATION VISIT: WWW.LIFETIMETOOL.COM
or call 1-877-904-1002

REVISIONS				
ZONE	REV.	DESCRIPTION	DATE	APPROVED
	A	RELEASED	04APR2016	



SECTION A-A

NOTES:

- ORDER LIFETIME TOOL P/N: LT 200 SNOW GUARD
- CARTON SIZE: 12.00" X 12.00" X 12.00"
- CARTON QUANTITY: 100 PER CARTON
- CARTON WEIGHT: 33.8#
- CARTON CONTENTS INCLUDES: 100 PARTS, INSTRUCTIONS, AND ONE 3/8" HEX ALLEN WRENCH.
- INDIVIDUAL PART WEIGHT: 0.33#
- FITS: 24 - 30 GAUGE STANDING SEAM PANELS, OR SIMILAR, WITH A SEAM WIDTH OF 3/16" MAXIMUM.
- ALL PARTS MADE AND ASSEMBLED IN THE U.S.A.
- U.S. PATENT #8,891,961

PART No.	FINISH:
LT 200-MILL	MILL FINISH
LT 200-KC	MATTE BLACK
LT 200-KC	COLONIAL RED
LT 200-KC	HARTFORD GREEN
LT 200-KC	DARK BRONZE
LT 200-KC	FOREST GREEN
LT 200-KC	MEDIUM BRONZE
LT 200-KC	MANSARD BROWN
LT 200-KC	CHARCOAL GRAY
LT 200-KC	SLATE GRAY

U.S. Patent # 8,898,961

LT 200 Snow Guard

<p>THIRD ANGLE PROJECTION</p>	SOLIDWORKS DATA THIS DRAWING IS CONTROLLED BY SOLIDWORKS PART FILE # 5191-9200-02 Rev A - SNOW GUARD SIZE 200.SLDASM BOTH DATA FILES ARE REQUIRED FOR FULL MANUFACTURING SPECIFICATION		UNLESS OTHERWISE SPECIFIED: DIMENSIONS ARE IN INCHES TOLERANCES: FRACTIONAL: ± .005 ANGULAR: MACH: 0.5° TWO PLACE DECIMAL: ± 0.01 THREE PLACE DECIMAL: ± 0.005	DRAWN: _____ CHECKED: _____ ENG APPR: _____ MFG APPR: _____ G.A.: _____ COMMENTS: _____	DATE: _____ NAME: _____	Lifetime Tool & Building Products TITLE: LT 200 Snow Guard SPECIFICATION DRAWING
	PROJECT # 5191 PLOT DATE: 04APR2016 DO NOT SCALE DRAWING	SIZE: D SCALE: 1.5:1	PART NO.: LT 200 SNOW GUARD REV: A	SHEET 1 OF 1		